

Linear LED High Bay

170

LM/W



IP65

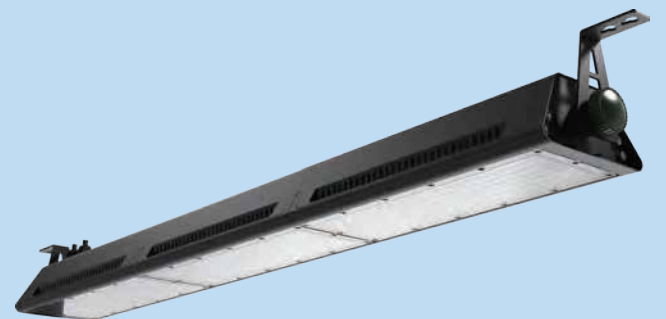
30x70°

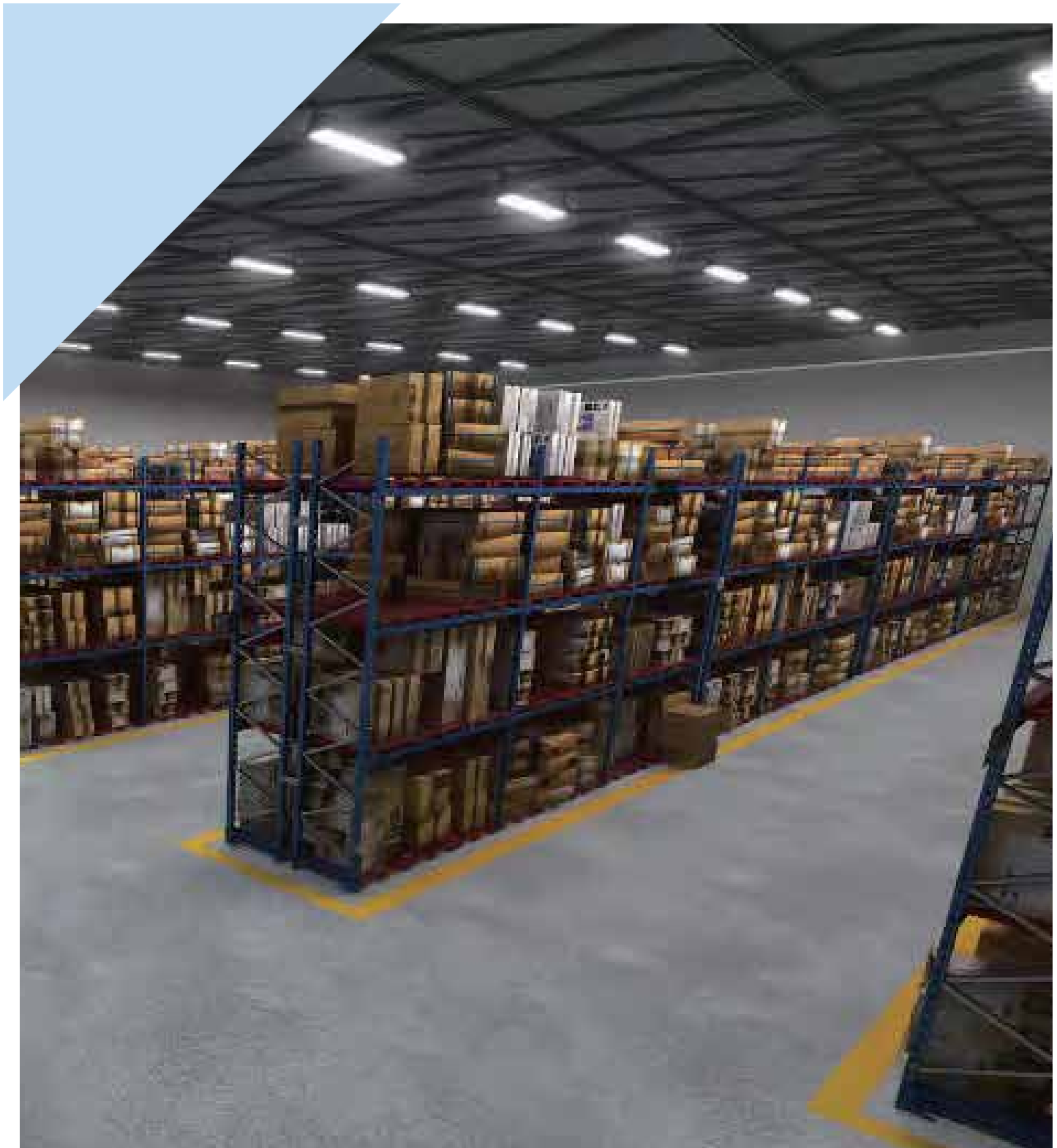
60x90°

90x110°



INTERNATIONAL  LIGHTING





CE CB



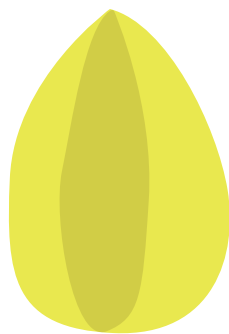
Model N O.	GL-LHB100-B	GL-LHB120-B	GL-LHB150-B	GL-LHB200-B	GL-LHB300-B
Wattage	100W	120W	150W	200W	300W
Luminous Efficiency	170LM/W				
Total Lumen	17,000LM	20,400LM	25,500LM	34,000LM	51,000LM
PF	> 0.95				
Beam Angle	30x70° /60x90° /90x110° Optional				
Driver	Meanwell				
Dimming	0-10V / DALI / PWM				
LED	Lumileds 2835				
LED Qty	240PCS	288PCS	360PCS	480PCS	720PCS
CCT	3000K / 4000K / 5000K / 5700K Optional				
CRI	>70(80Ra optional)				
Input Voltage	AC90-305V				
IP Rating	IP65				
IK Rating	IK09				
Life span	>72,000hrs				
Carton Size (mm)	L597mm x W411mm x H215mm	L967mm x W411mm x H215mm	L967mm x W411mm x H215mm	L967mm x W411mm x H215mm	L1337mm x W411mm x H215mm
QTY./CTN.	2pcs/CTN	2pcs/CTN	2pcs/CTN	2pcs/CTN	2pcs/CTN
Net Weight	4.34Kg	5.2Kg	5.2Kg	5.4Kg	8.4Kg
Gross Weight	9.8Kg	12Kg	12Kg	12.2Kg	18.7Kg
Certificate	CE,CB,SAA,C-tick,ROHS				

* Other specifications shall be confirmed with the sales representative.

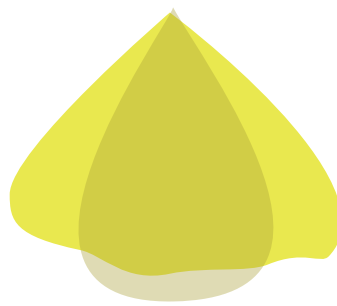
Features:

- Specialized optics for pallet racking and aisle applications
- Multiple light distribution 30X70°, 60X90°, 90x110°
- Low power consumption and high efficiency up to 170LM/W
- Sleek and stylish design-black powder coat finish (white for option)
- Meanwell
- Multiple installation methods
- Available with microwave daylight sensor remote control

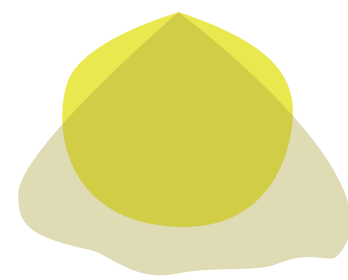
Distribution Curve:



30x70°

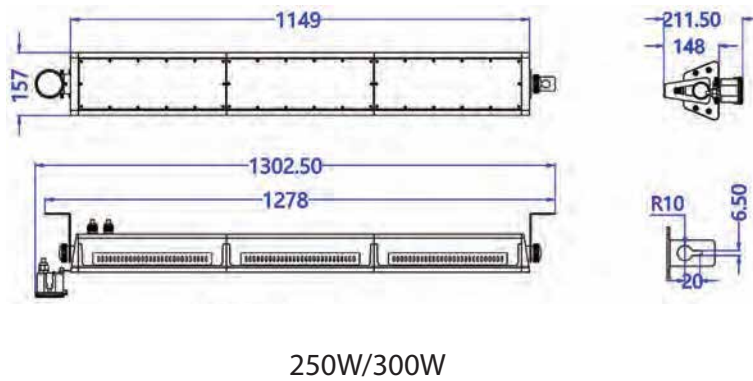
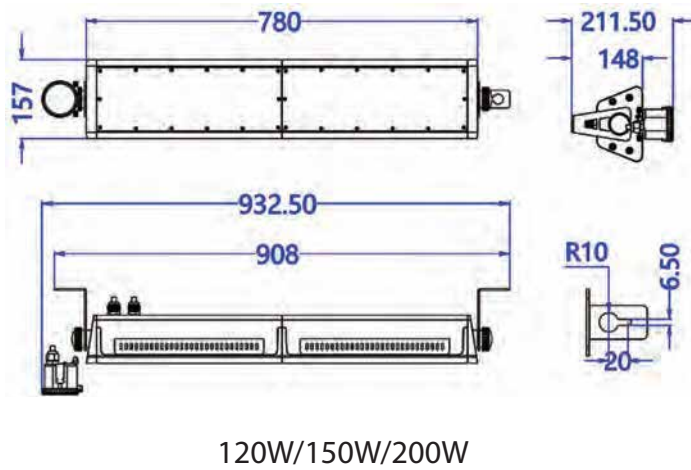
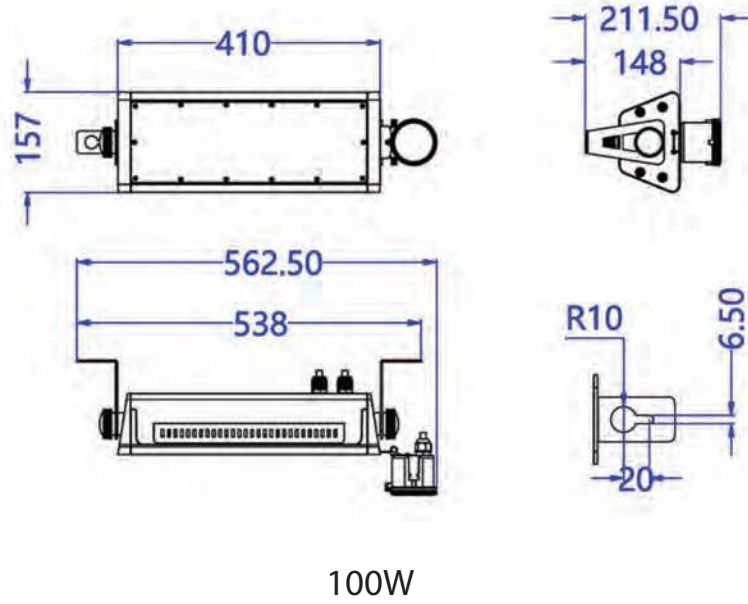


60x90°



90x110°

Technical Drawing :





International Lighting

+353 (0)21 454 1100

info@internationallighting.ie

www.internationallighting.ie

Unit 1, Doughcloyne Industrial Estate, Wilton, Cork.